

CELLO LIVING

ANGLED ARM – PLUSH



EQ3

CELLO – LIVING

ANGLED ARM – PLUSH

DESCRIPTION

The Cello collection was inspired by the robust sound and shape of the instrument itself. The elegant curved lines of the collection are the result of a unique combination of memory foam seat cushions and feather-filled back cushions, producing exceptional comfort.

FAQ

- Available in all custom upholstery fabrics and leathers.
- Feather and fiber filled back cushions.
- Memory foam seating.
- Arm and Back frame structure identical.

PLUSH AND CLASSIC SEATING

Classic seating is the the original look you know and love; streamlined look and feel; memory foam for seats and feather for backs. Plush cushions are new to Cello; luxurious, extra comfortable, deep and soft; foam core layered with memory foam then feathers for seats and feather for backs

ARM OPTIONS



ANGLED



STRAIGHT

LEG OPTIONS



1.5"
ROTABLES



2.5"
ROTABLES

SEATING OPTIONS



CLASSIC
CUSHIONS



PLUSH
CUSHIONS

SHIPPING

All EQ3 custom upholstery will be delivered by freight using EQ3's logistical partner. Delivery timelines will vary depending on your location. Delivery timelines will vary depending on your location. All in stock large furniture items (dressers, upholstery, etc.) Will be delivered by freight using EQ3's logistical partner. Our delivery partner will contact you to set up an appointment (date and time) to deliver your order once it arrives in your area.

Our delivery partner will contact you to set up an appointment (date and time) to deliver your order.

WARRANTY

Material & Workmanship: EQ3 seating products are warranted against defects in material and workmanship for two (2) years.

Cushions: EQ3 cushions are warranted for a period of two (2) years against collapsing. Foam softening is normal and not covered under the warranty.

Construction/Frame: EQ3 frames and interior construction are warranted for life (25) years.

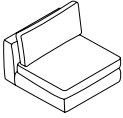
For more information view our complete EQ3 Upholstery Warranty.

Cover: EQ3 fabric products are warranted against wear under normal care and conditions for a period of one (1) year.

Cover: EQ3 leather products are warranted against tearing and splitting for a period of five (5) years.

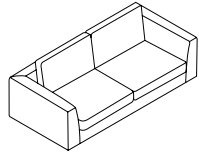
CELLO – LIVING

ANGLED ARM – PLUSH



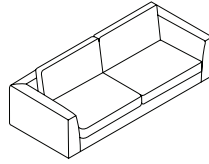
ARMLESS SWIVEL CHAIR

36" w × 39" d × 30.5" h
Fabric 30393-71
Leather 37393-71



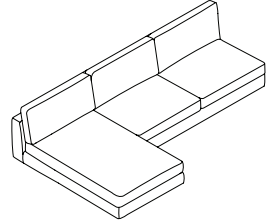
NARROW LOVESEAT

79" w × 39" d × 30" h
Fabric 30393-03
Leather 37393-03



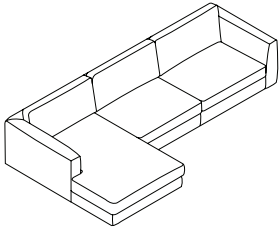
88" SOFA

88" w × 39" d × 30" h
Fabric 30393-33
Leather 37393-33



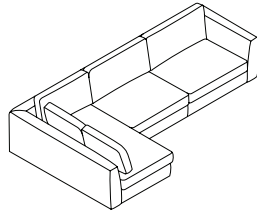
2-PIECE ARMLESS SOFA WITH CHAISE

106.5" w × 65" d × 30" h
Fabric 30393-06, 14
Leather 37393-06, 14



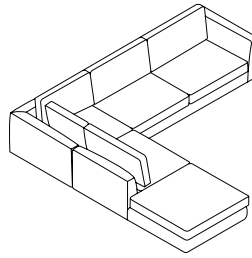
2-PIECE SOFA WITH CHAISE

123" w × 65" d × 30" h
Fabric 30393-07, 15
Leather 37393-07, 15



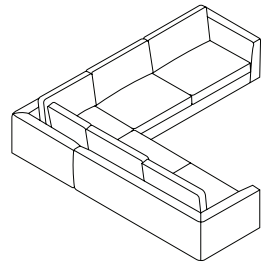
2-PIECE SOFA WITH FULL ARM CHAISE

118" w × 65" d × 30" h
Fabric 30393-07, 20
Leather 37393-07, 20



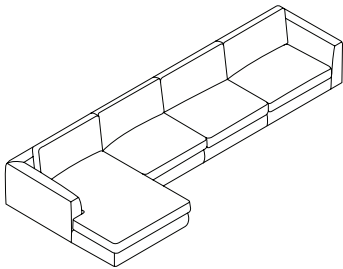
3-PIECE SOFA WITH BACKLESS CHAISE

118" w × 110" d × 30" h
Fabric 30393-08, 09, 35
Leather 37393-08, 09, 35



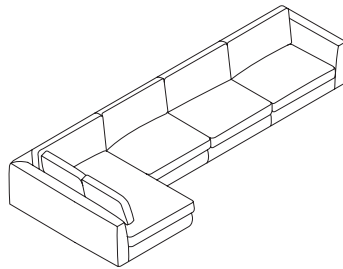
3-PIECE SOFA WITH CORNER SEAT

118" w × 118" d × 30" h
Fabric 30393-07, 08, 09
Leather 37393-07, 08, 09



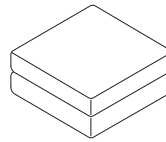
3-PIECE SOFA WITH CHAISE

159" w × 65" d × 30" h
Fabric 30393-08, 10, 16
Leather 37393-08, 10, 16



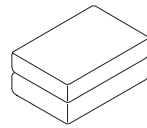
3-PIECE SOFA WITH FULL ARM CHAISE

153" w × 65" d × 30" h
Fabric 30393-08, 10, 19
Leather 37393-08, 10, 19



OTTOMAN

39" w × 39" d × 16" h
Fabric 30393-74
Leather 37393-74

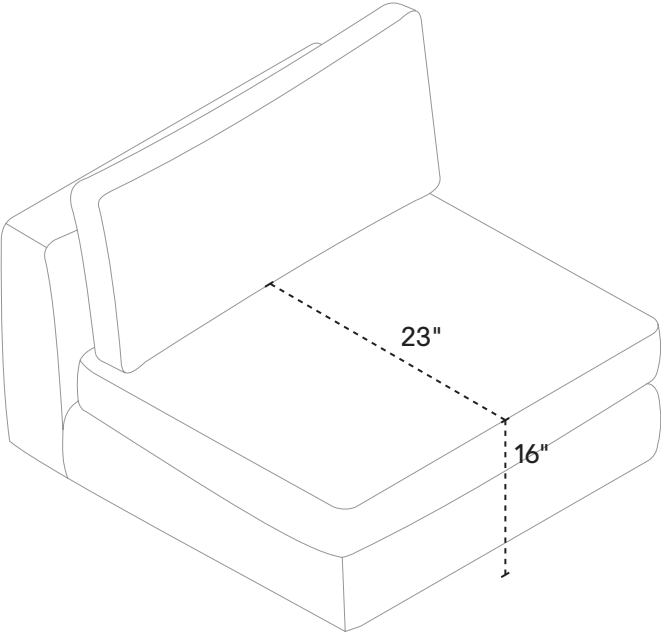
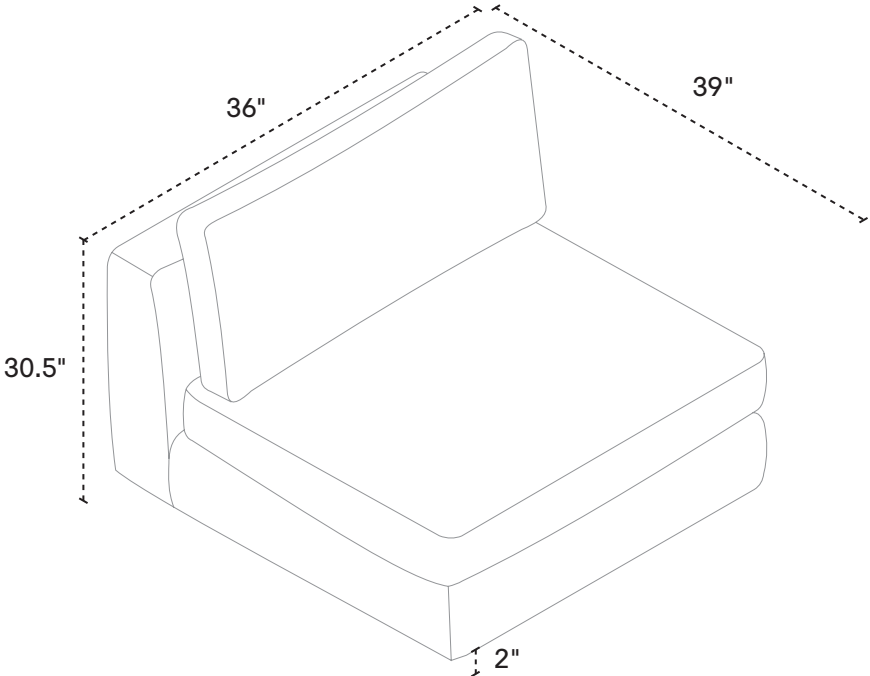


RECTANGULAR OTTOMAN

39" w × 27" d × 16" h
Fabric 30393-64
Leather 37393-64

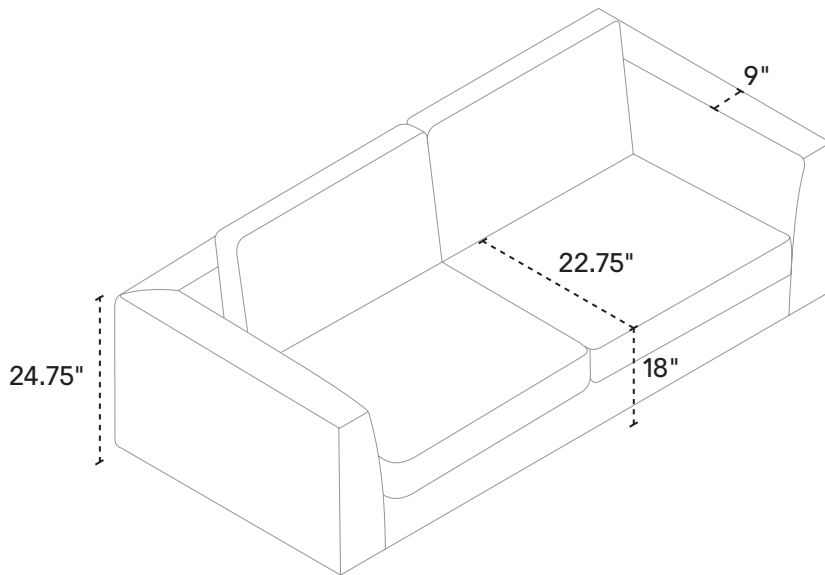
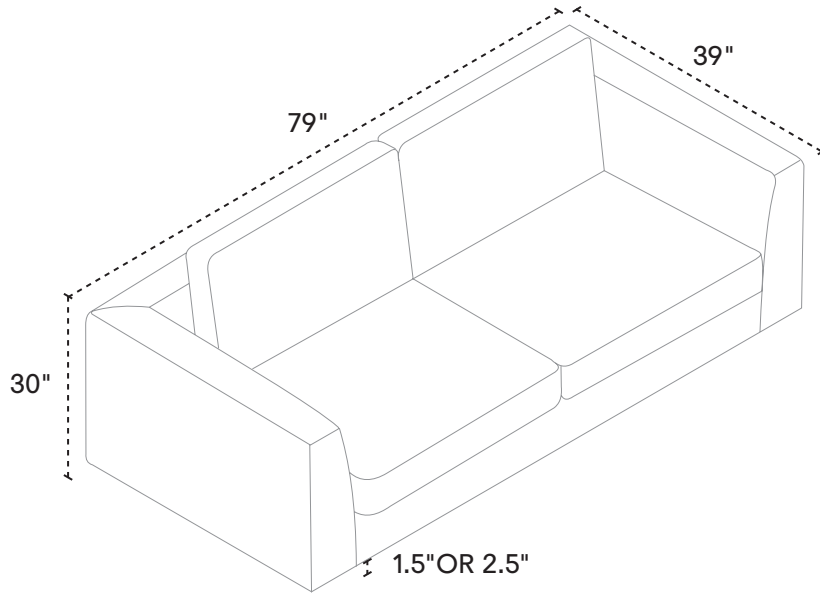
ARMLESS SWIVEL CHAIR

ANGLED ARM – PLUSH



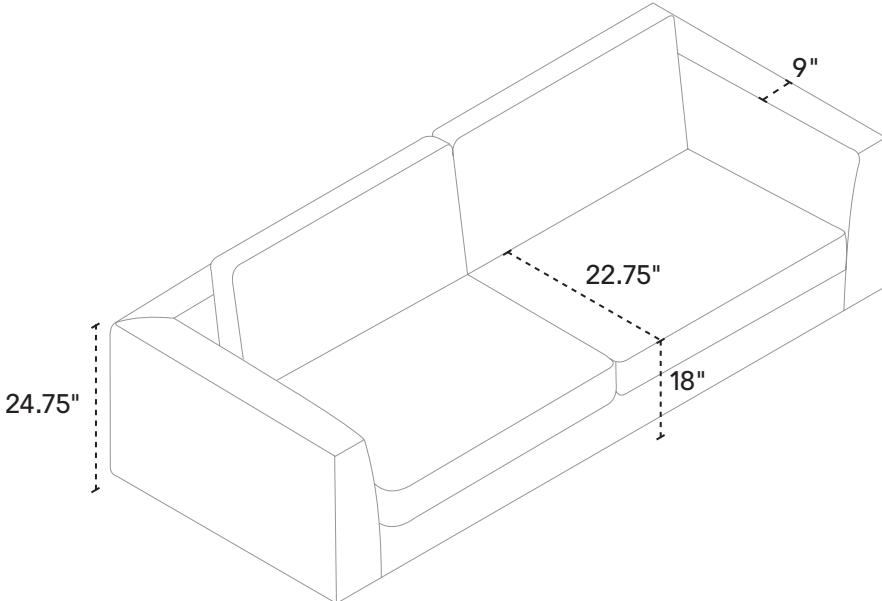
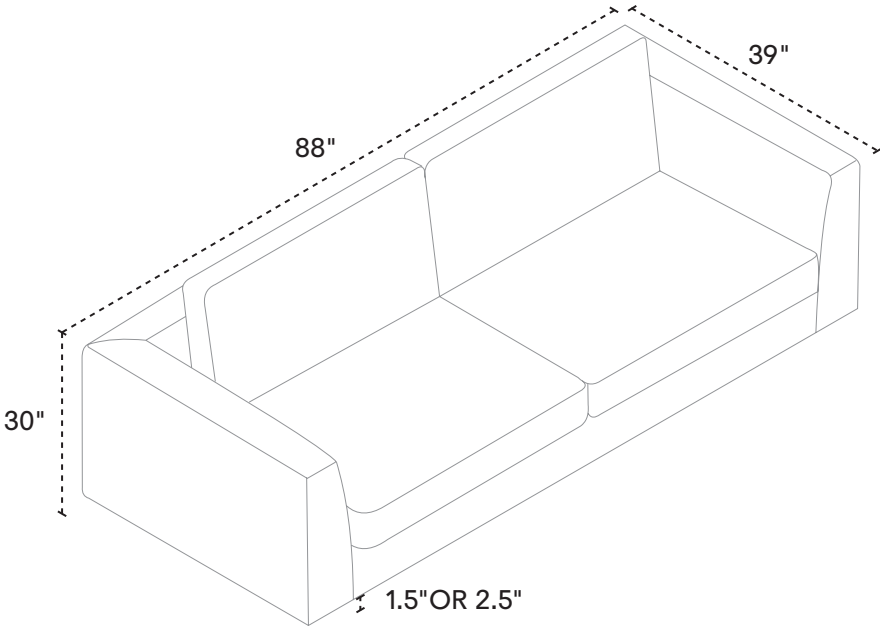
NARROW LOVESEAT

ANGLED ARM – PLUSH



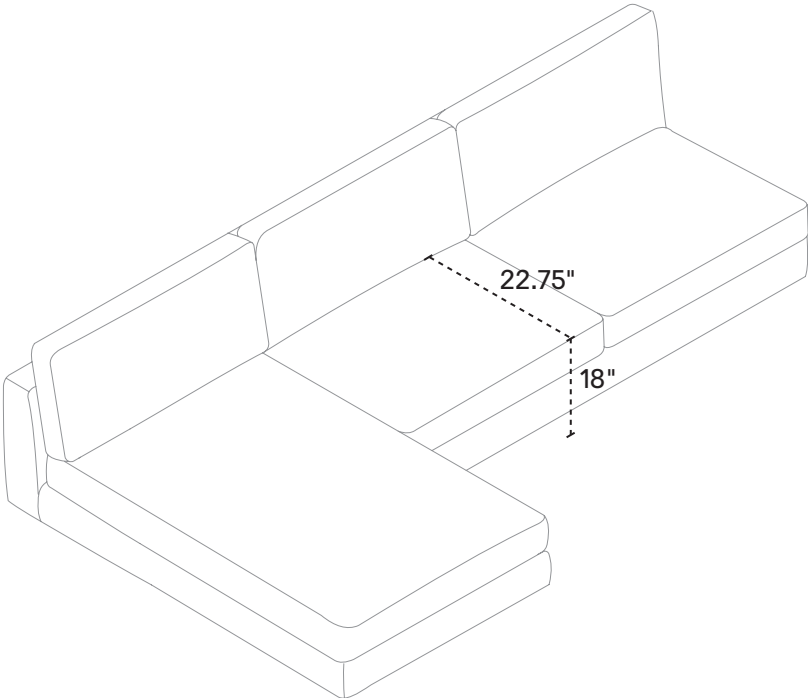
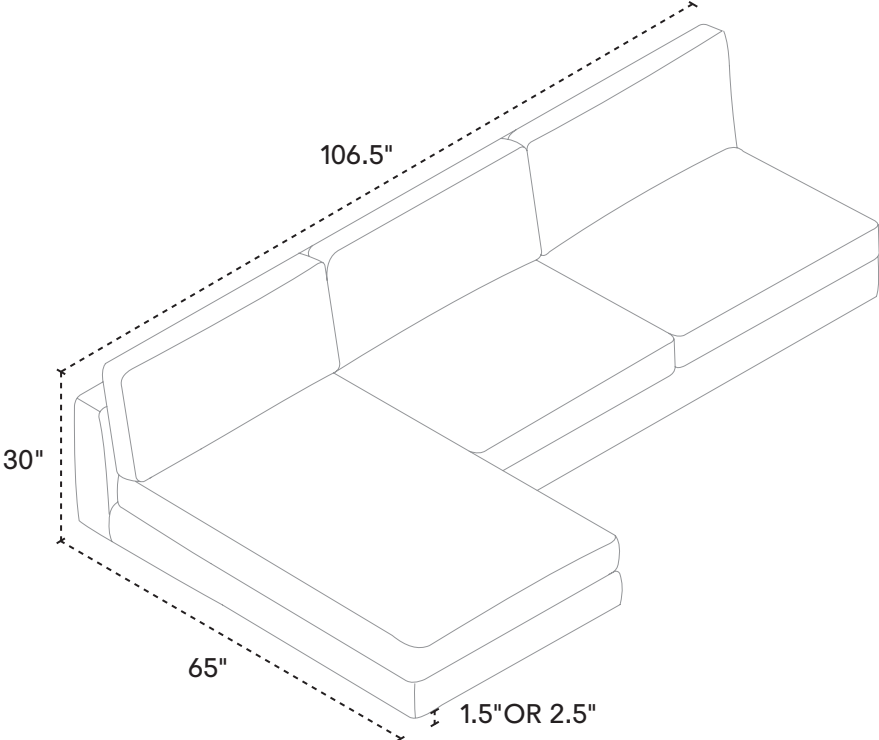
88" SOFA

ANGLED ARM - PLUSH



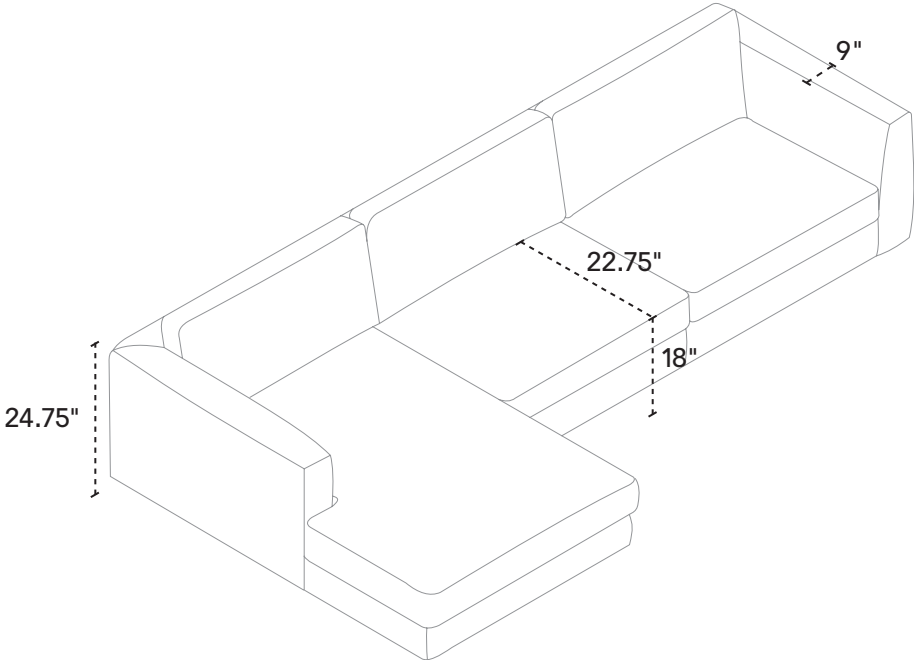
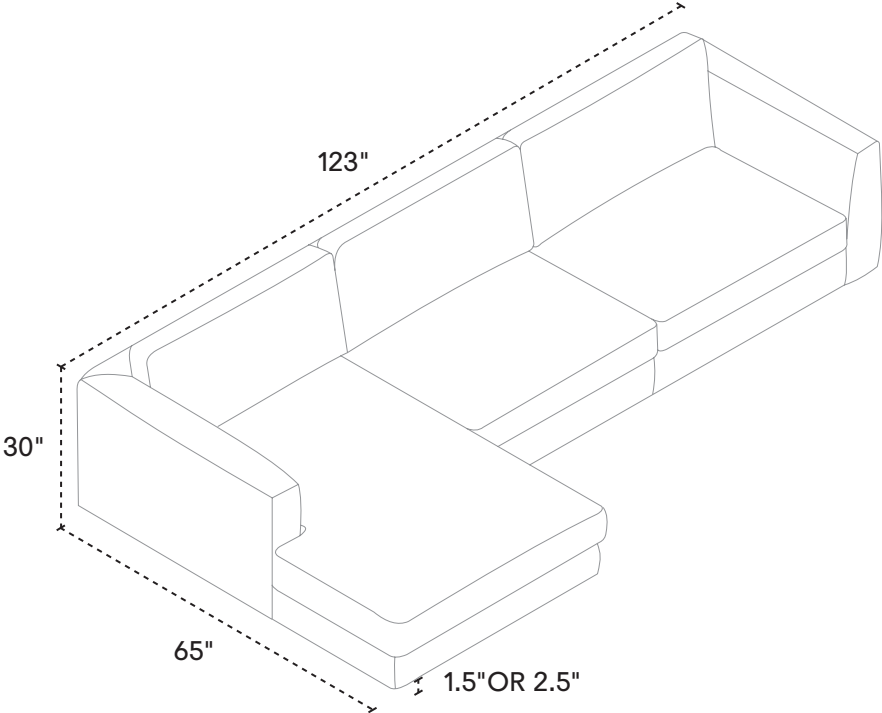
2-PIECE ARMLESS SOFA WITH CHAISE

ANGLED ARM – PLUSH



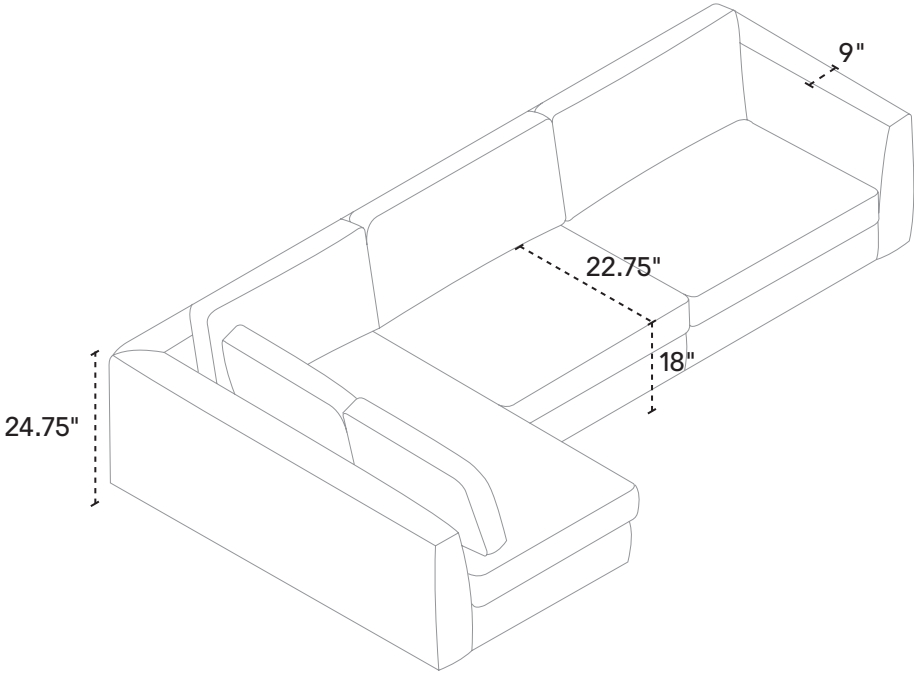
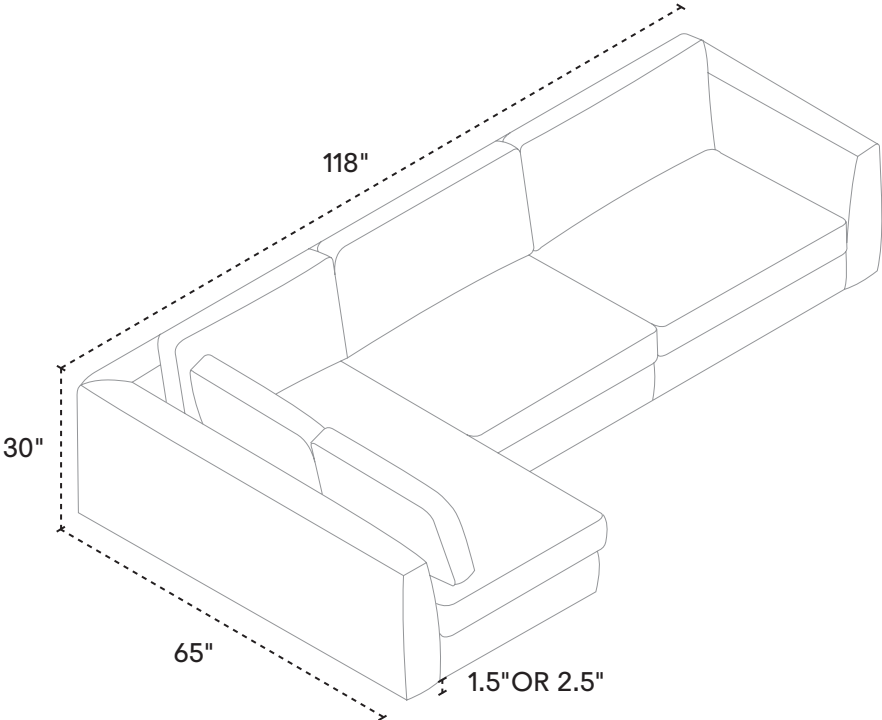
2-PIECE SOFA WITH CHAISE

ANGLED ARM – PLUSH



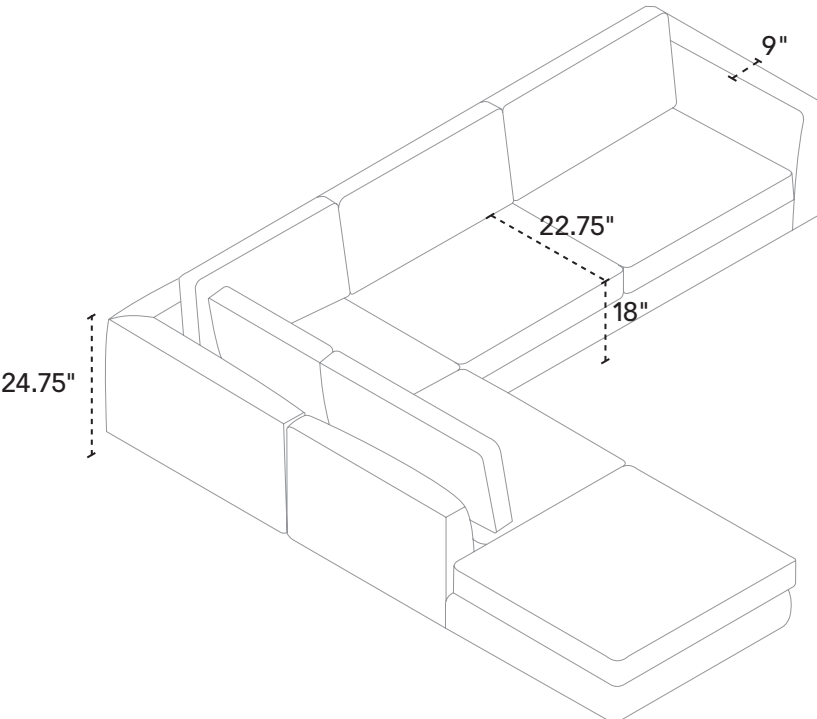
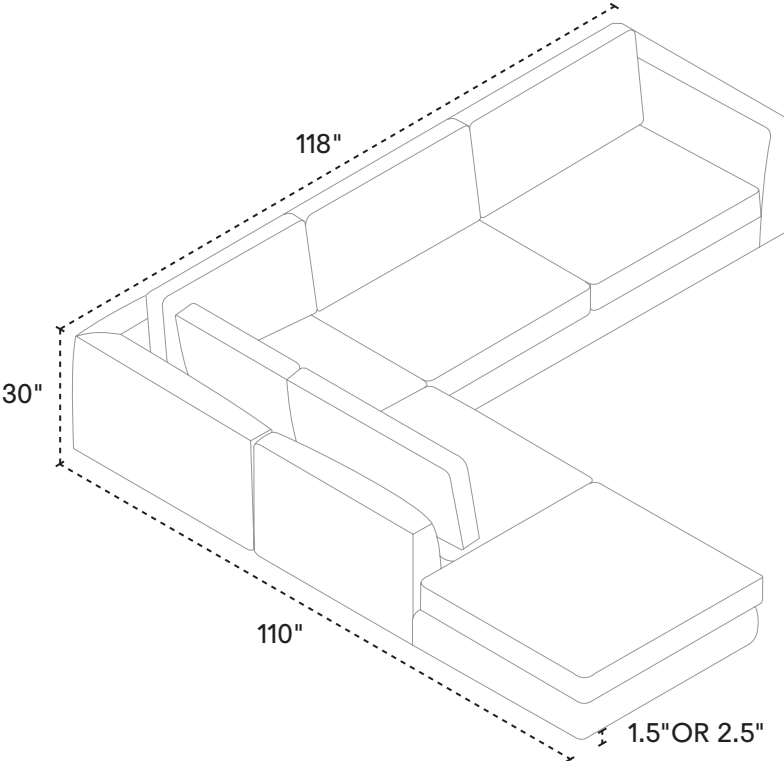
2-PIECE SOFA WITH FULL ARM CHAISE

ANGLED ARM – PLUSH



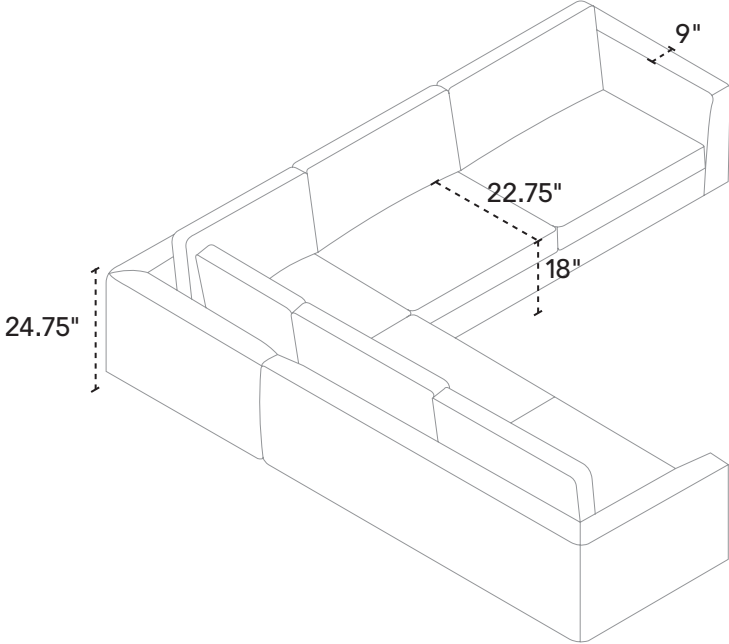
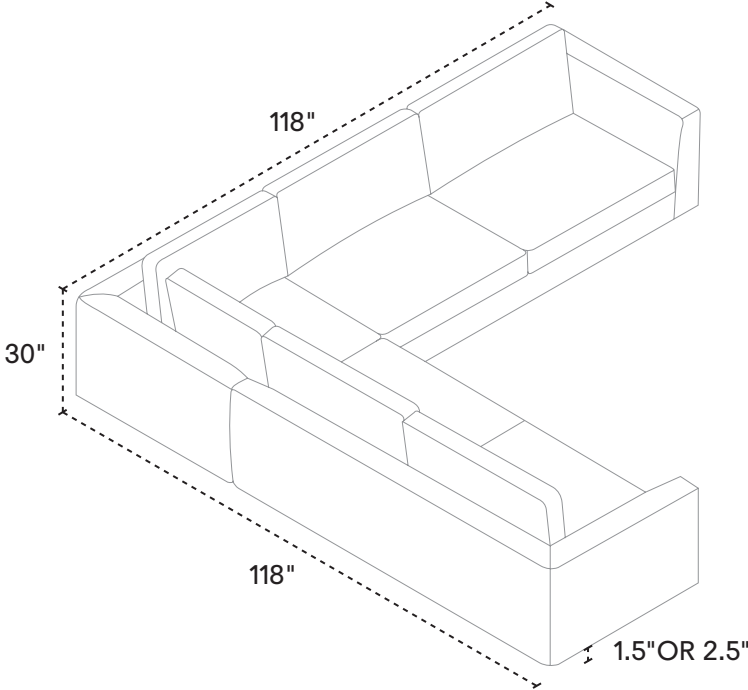
3-PIECE SOFA WITH BACKLESS CHAISE

ANGLED ARM – PLUSH



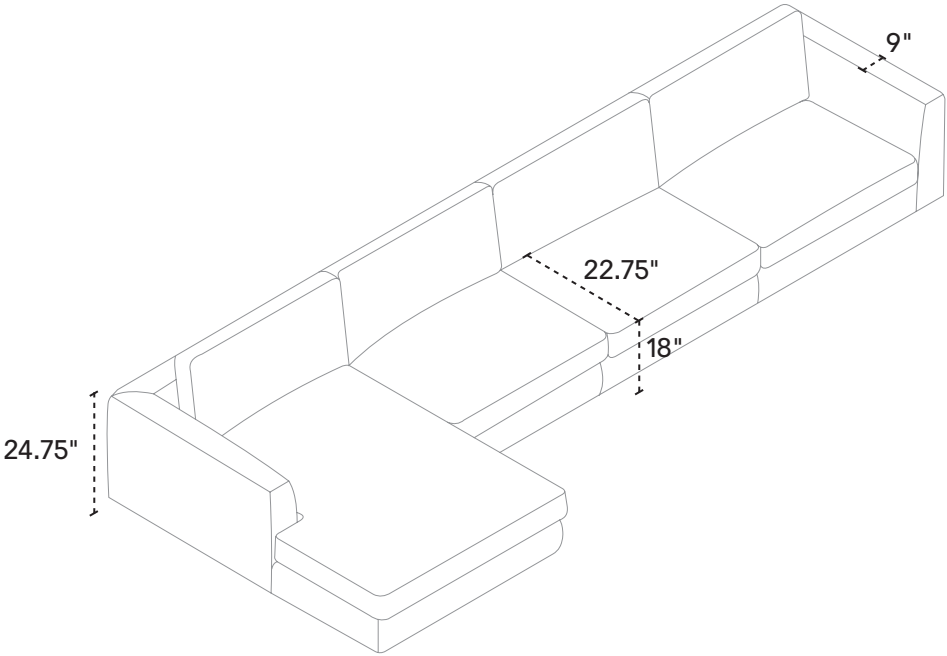
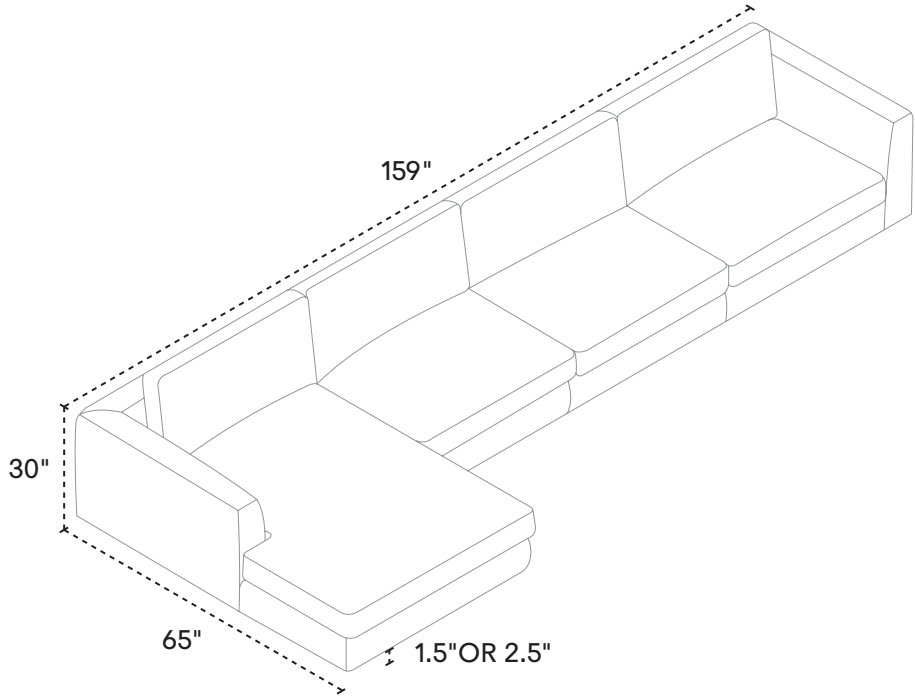
3-PIECE SOFA WITH CORNER SEAT

ANGLED ARM – PLUSH



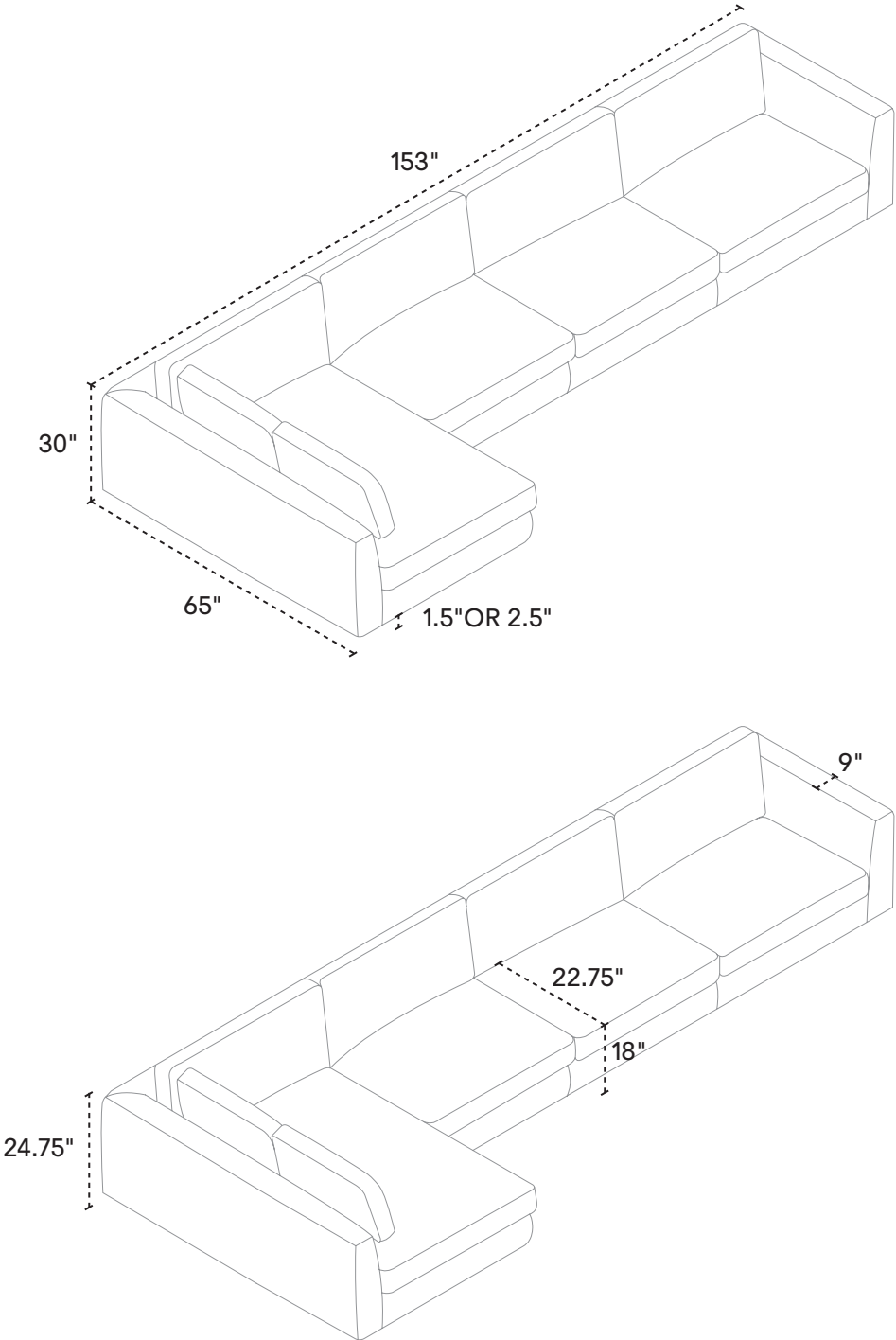
3-PIECE SOFA WITH CHAISE

ANGLED ARM – PLUSH



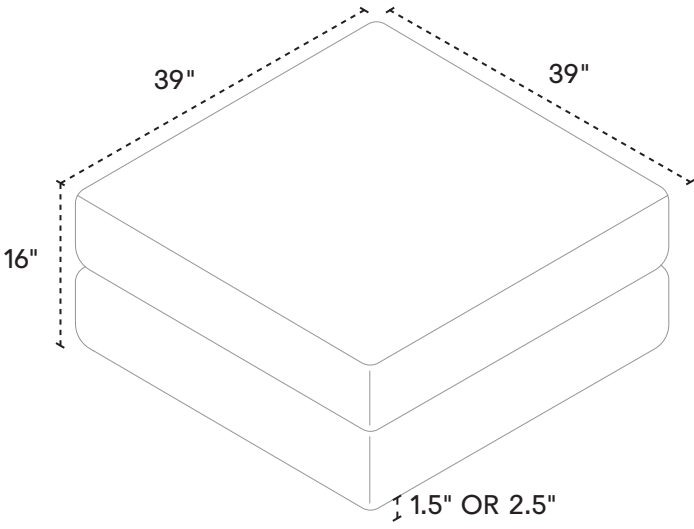
3-PIECE SOFA WITH FULL ARM CHAISE

ANGLED ARM – PLUSH



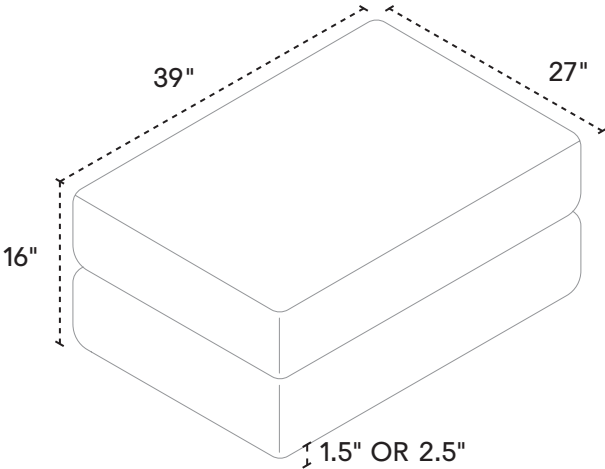
SQUARE OTTOMAN

PLUSH



RECTANGULAR OTTOMAN

PLUSH



CELLO LIVING

STRAIGHT ARM – PLUSH



EQ3

CELLO – LIVING

STRAIGHT ARM – PLUSH

DESCRIPTION

The Cello collection was inspired by the robust sound and shape of the instrument itself. The elegant curved lines of the collection are the result of a unique combination of memory foam seat cushions and feather-filled back cushions, producing exceptional comfort.

FAQ

- Available in all custom upholstery fabrics and leathers.
- Feather and fiber filled back cushions.
- Memory foam seating.
- Arm and Back frame structure identical.

PLUSH AND PLUSH SEATING

Plush seating is the the original look you know and love; streamlined look and feel; memory foam for seats and feather for backs. Plush cushions are new to Cello; luxurious, extra comfortable, deep and soft; foam core layered with memory foam then feathers for seats and feather for backs

ARM OPTIONS



ANGLED



STRAIGHT

LEG OPTIONS



1.5"
ROTABLES



2.5"
ROTABLES

SEATING OPTIONS



PLUSH
CUSHIONS



PLUSH
CUSHIONS

SHIPPING

All EQ3 custom upholstery will be delivered by freight using EQ3's logistical partner. Delivery timelines will vary depending on your location. Delivery timelines will vary depending on your location. All in stock large furniture items (dressers, upholstery, etc.) Will be delivered by freight using EQ3's logistical partner. Our delivery partner will contact you to set up an appointment (date and time) to deliver your order once it arrives in your area.

Our delivery partner will contact you to set up an appointment (date and time) to deliver your order.

WARRANTY

Material & Workmanship: EQ3 seating products are warranted against defects in material and workmanship for two (2) years.

Cushions: EQ3 cushions are warranted for a period of two (2) years against collapsing. Foam softening is normal and not covered under the warranty.

Construction/Frame: EQ3 frames and interior construction are warranted for life (25) years.

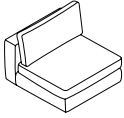
For more information view our complete EQ3 Upholstery Warranty.

Cover: EQ3 fabric products are warranted against wear under normal care and conditions for a period of one (1) year.

Cover: EQ3 leather products are warranted against tearing and splitting for a period of five (5) years.

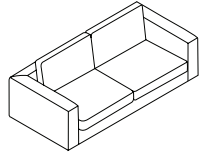
CELLO – LIVING

STRAIGHT ARM – PLUSH



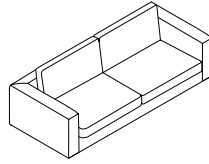
ARMLESS SWIVEL CHAIR

36" w × 39" d × 30.5" h
Fabric 30392-71
Leather 37392-71



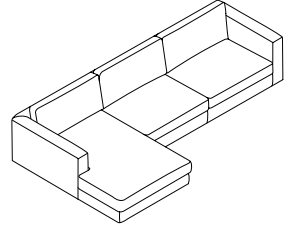
NARROW LOVESEAT

77" w × 39" d × 30" h
Fabric 30392-03
Leather 37392-03



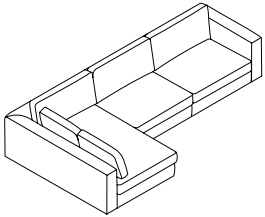
85" SOFA

85" w × 39" d × 30" h
Fabric 30392-33
Leather 37392-33



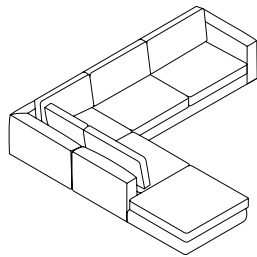
2-PIECE SOFA WITH CHAISE

120" w × 65" d × 30" h
Fabric 30392-07, 15
Leather 37392-07, 15



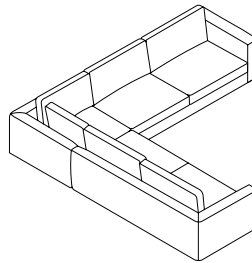
**2-PIECE SOFA WITH FULL
ARM CHAISE**

116.5" w × 65" d × 30" h
Fabric 30392-07, 20
Leather 37392-07, 20



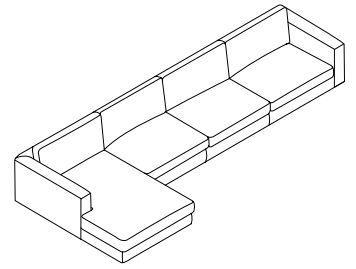
**3-PIECE SOFA WITH
BACKLESS CHAISE**

116.5" w × 110" d × 30" h
Fabric 30392-08, 09, 35
Leather 37392-08, 09, 35



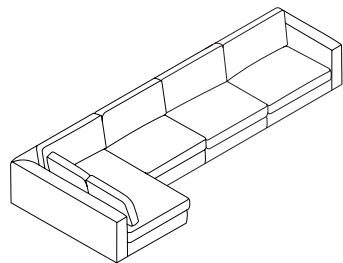
**3-PIECE SOFA WITH
CORNER SEAT**

116.5" w × 116.5" d × 30" h
Fabric 30392-07, 08, 09
Leather 37392-07, 08, 09



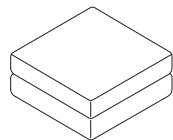
3-PIECE SOFA WITH CHAISE

155" w × 65" d × 30" h
Fabric 30392-08, 10, 16
Leather 37392-08, 10, 16



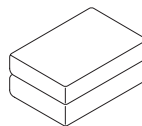
**3-PIECE SOFA WITH FULL
ARM CHAISE**

151.5" w × 65" d × 30" h
Fabric 30392-08, 10, 19
Leather 37392-08, 10, 19



OTTOMAN

39" w × 39" d × 16" h
Fabric 30392-74
Leather 37392-74

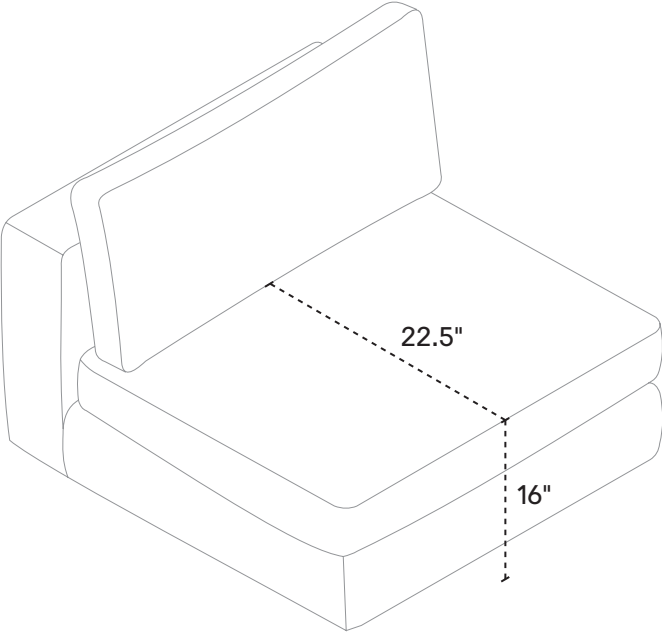
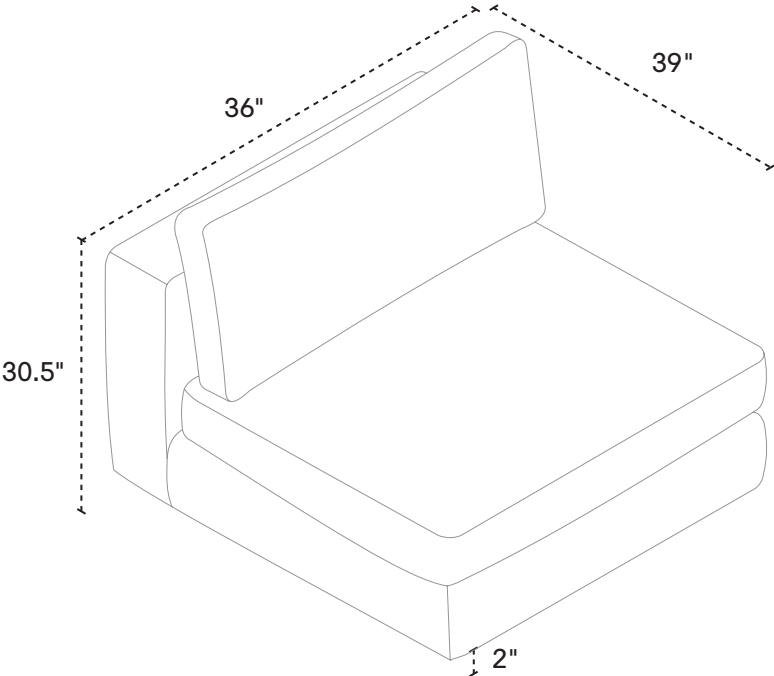


RECTANGULAR OTTOMAN

39" w × 27" d × 16" h
Fabric 30392-64
Leather 37392-64

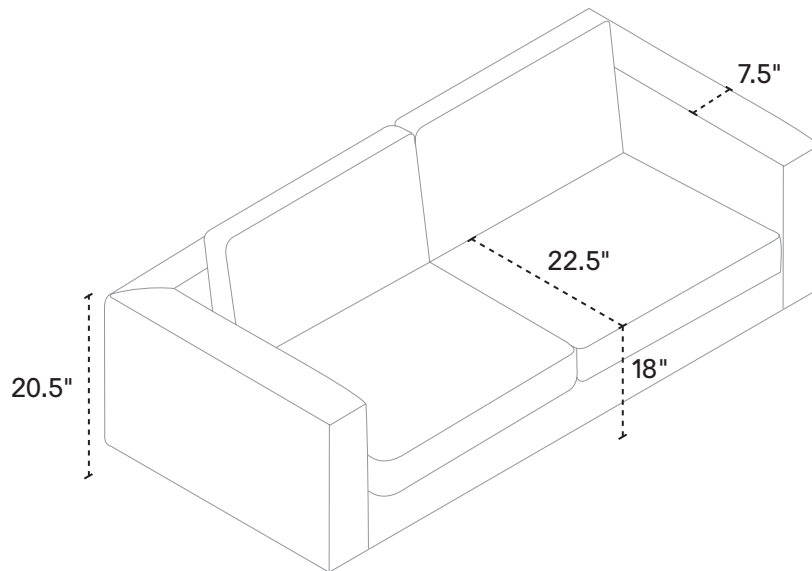
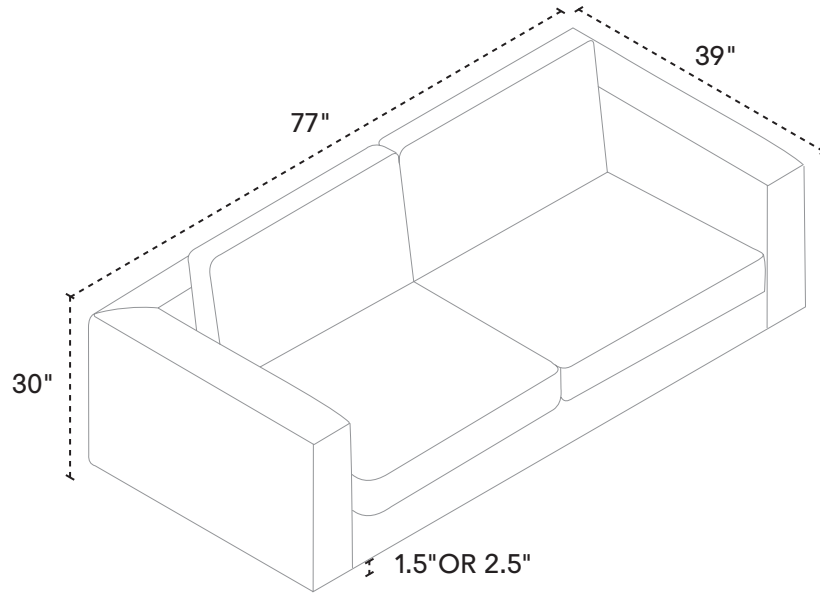
ARMLESS SWIVEL CHAIR

STRAIGHT ARM – PLUSH



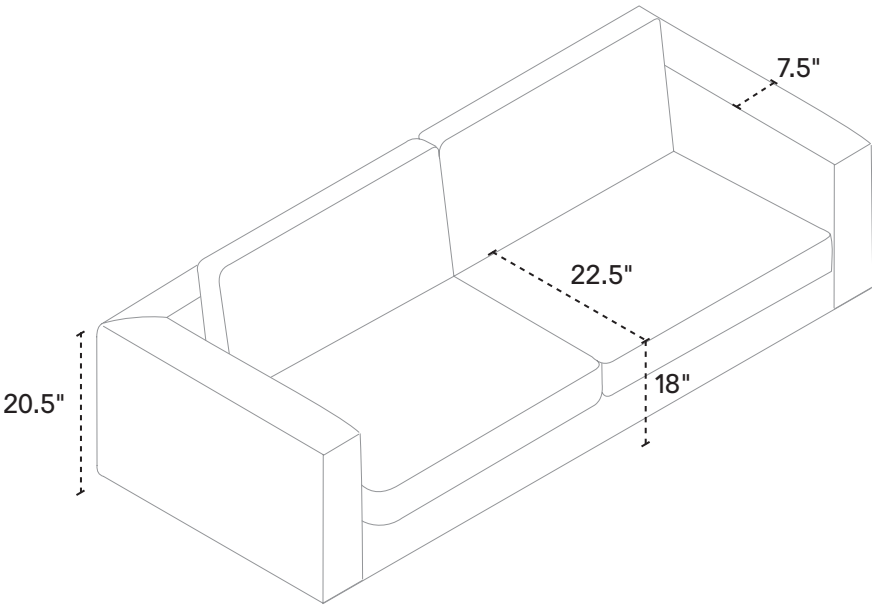
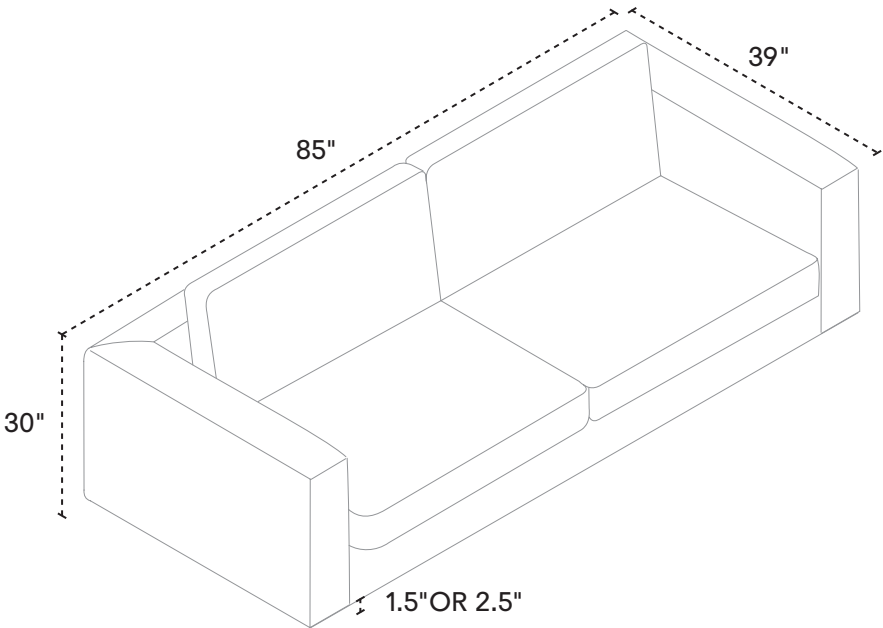
NARROW LOVESEAT

STRAIGHT ARM – PLUSH



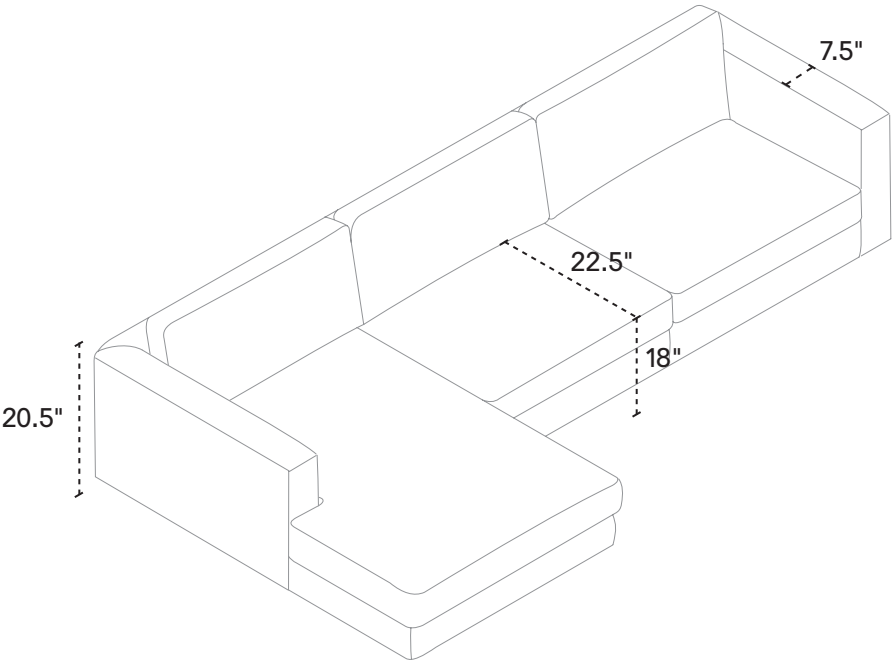
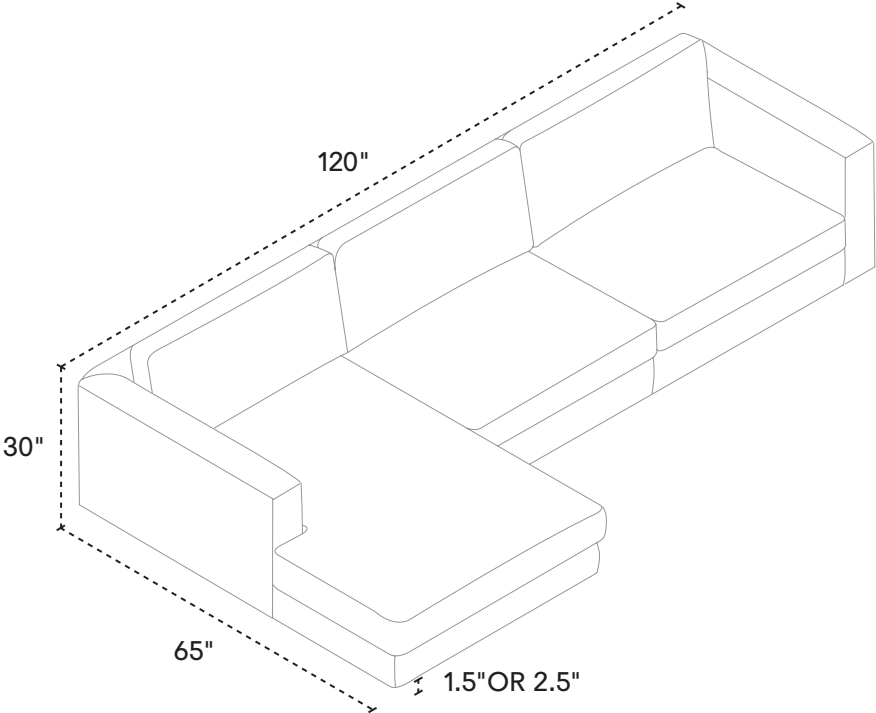
85" SOFA

STRAIGHT ARM - PLUSH



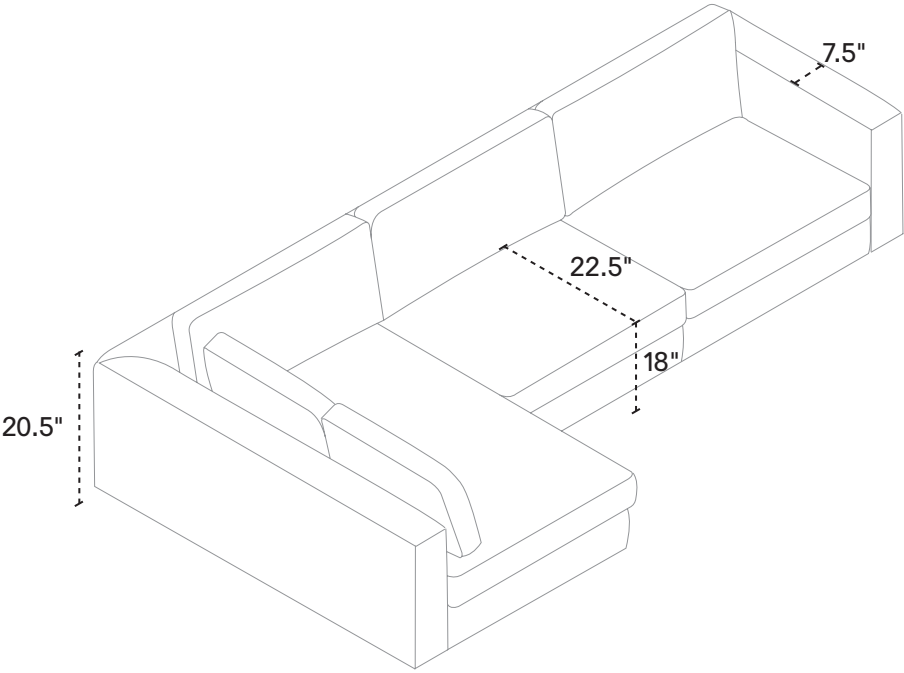
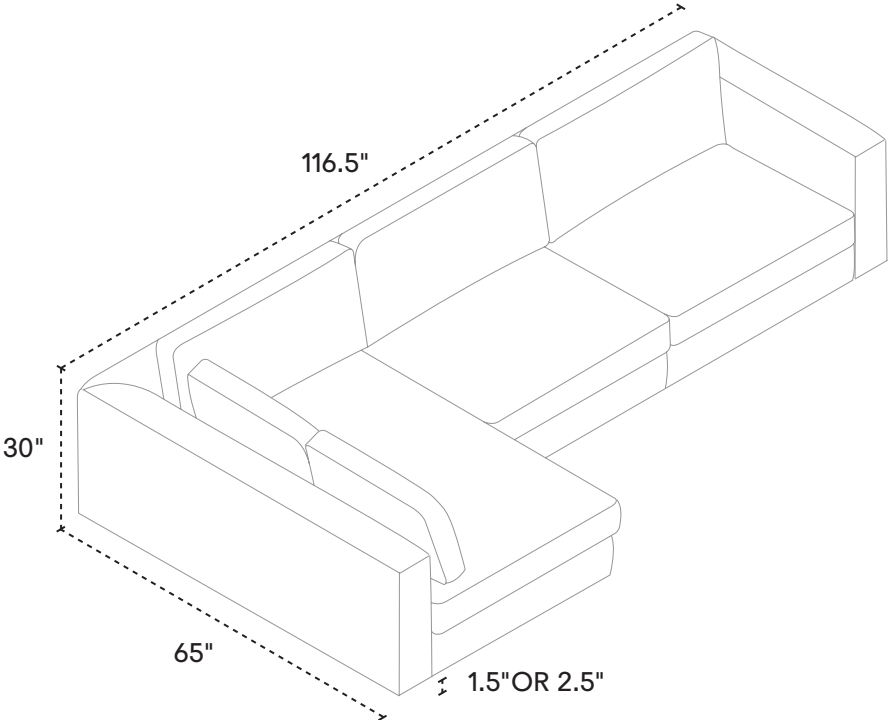
2-PIECE SOFA WITH CHAISE

STRAIGHT ARM – PLUSH



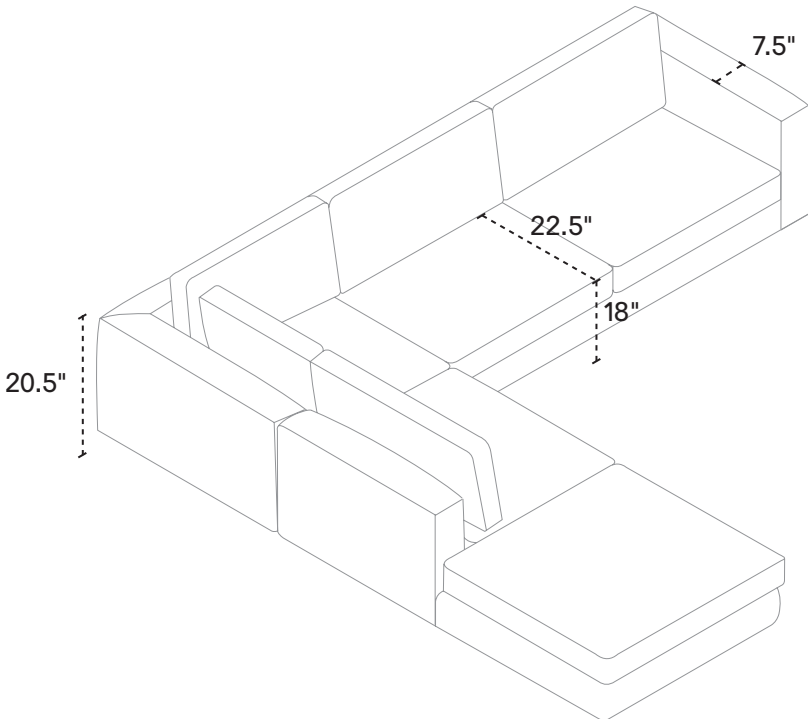
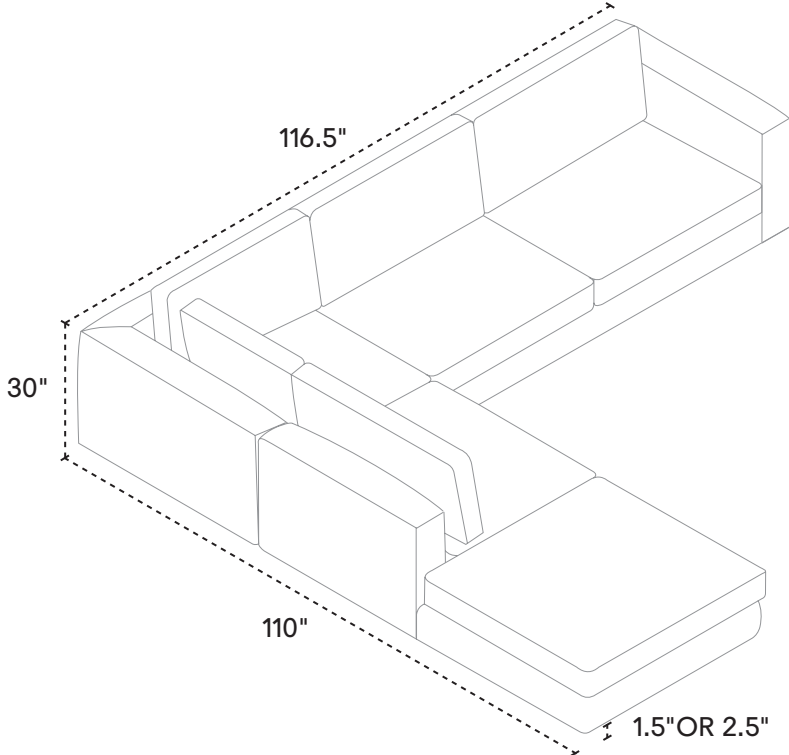
2-PIECE SOFA WITH FULL ARM CHAISE

STRAIGHT ARM – PLUSH



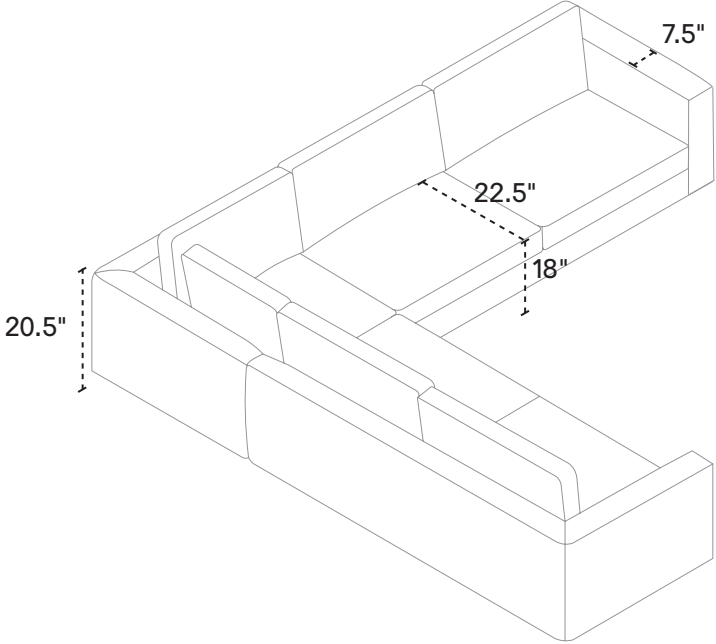
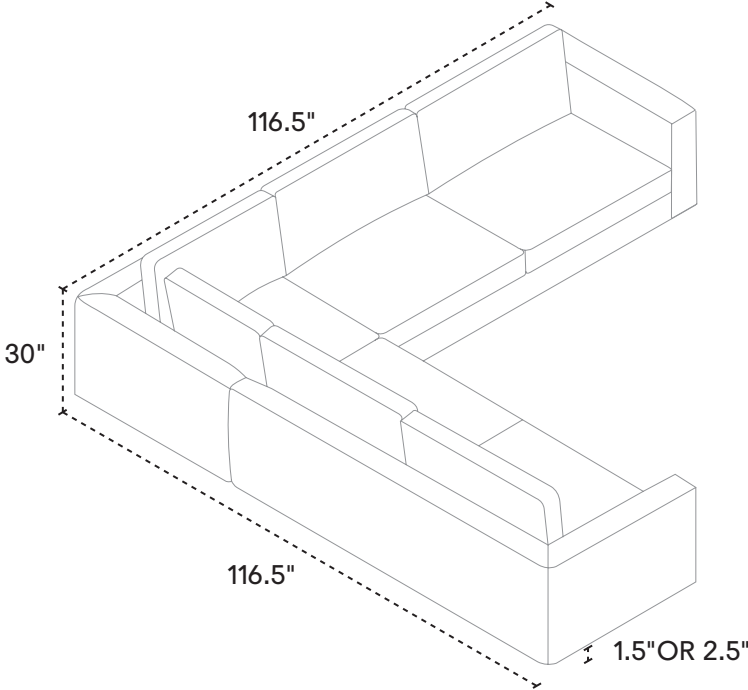
3-PIECE SOFA WITH BACKLESS CHAISE

STRAIGHT ARM – PLUSH



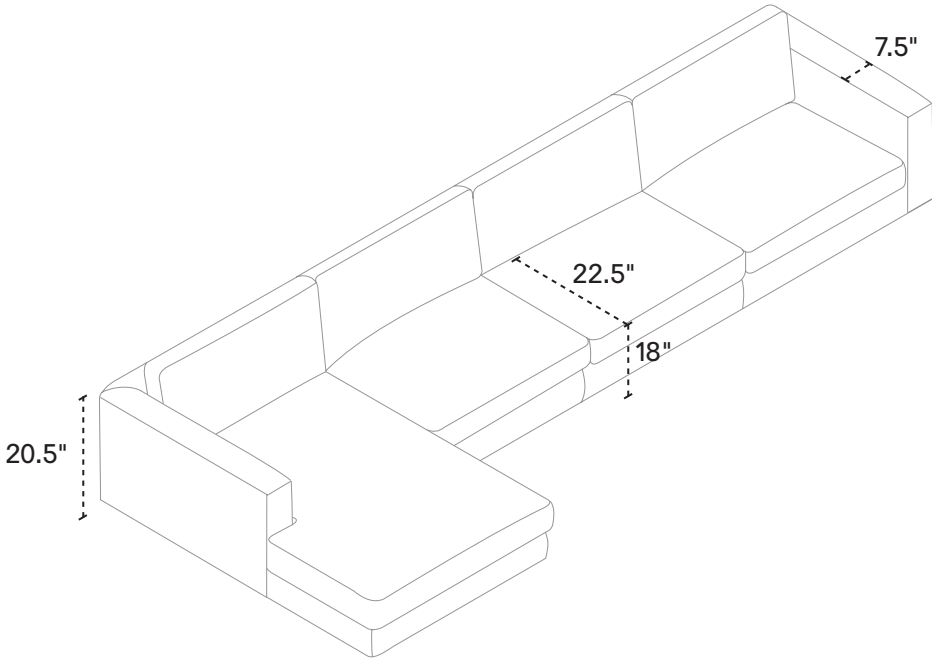
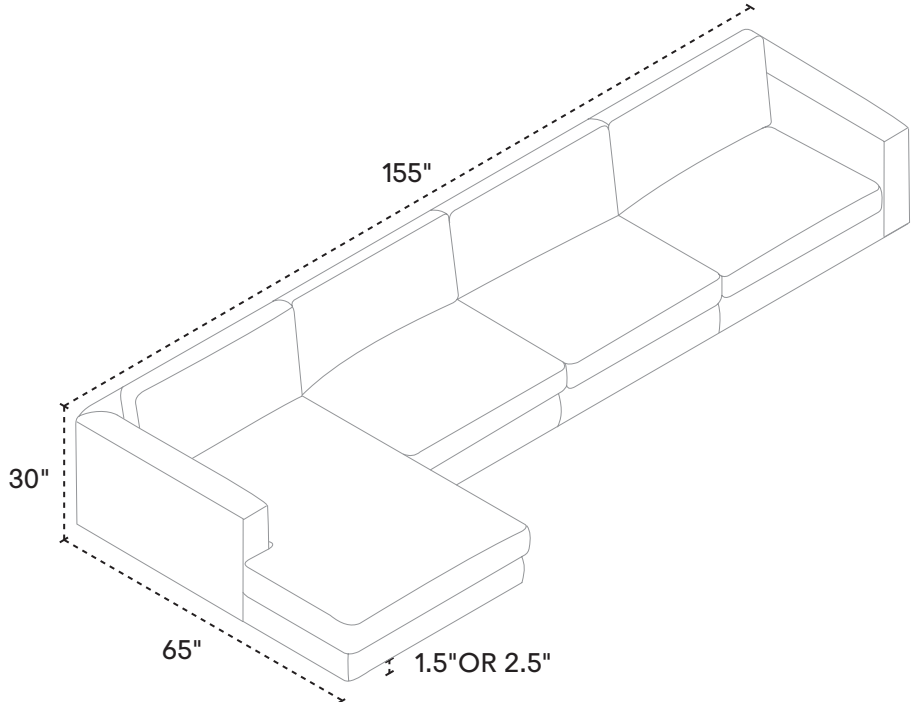
3-PIECE SOFA WITH CORNER SEAT

STRAIGHT ARM – PLUSH



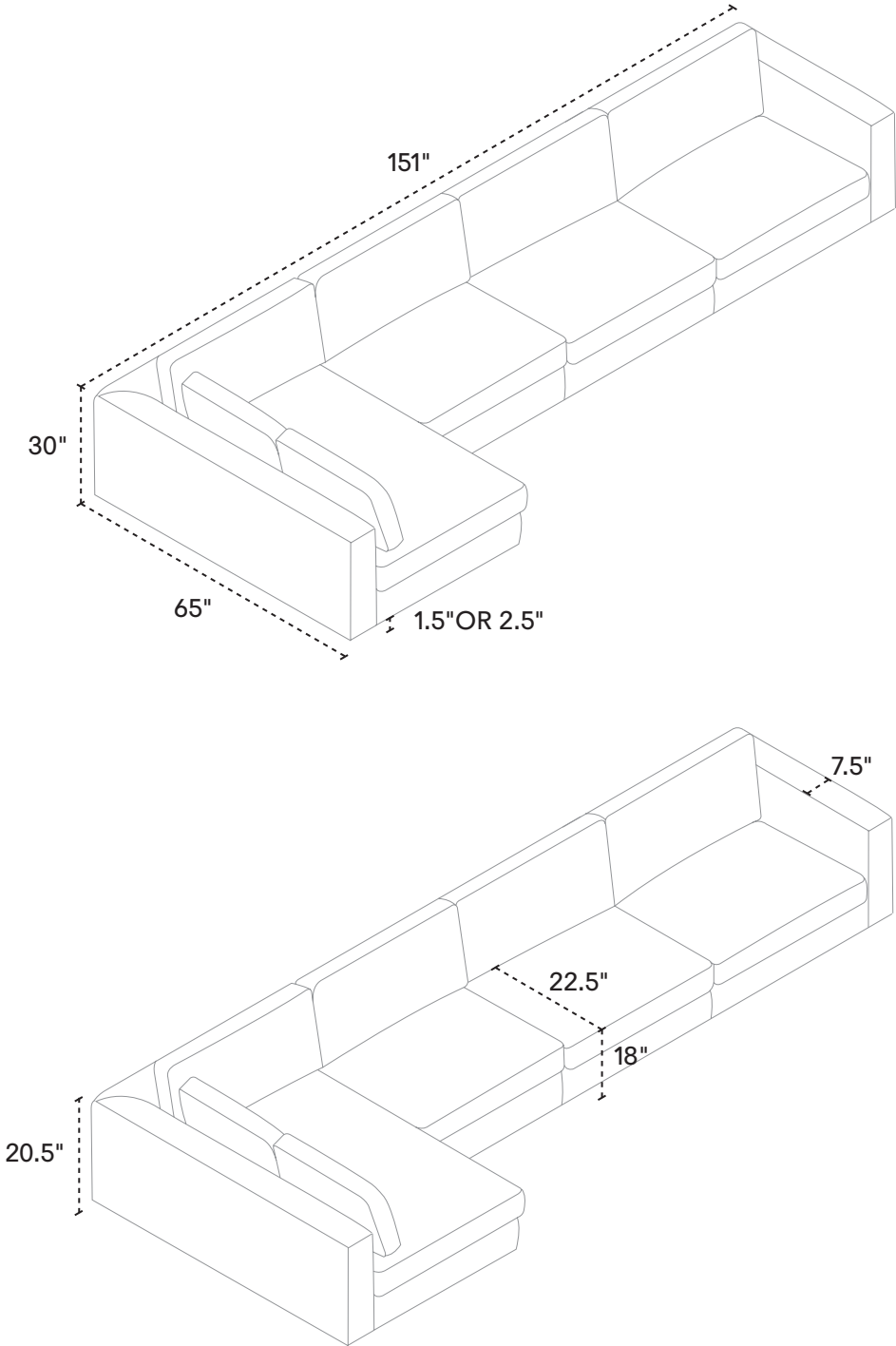
3-PIECE SOFA WITH CHAISE

STRAIGHT ARM – PLUSH



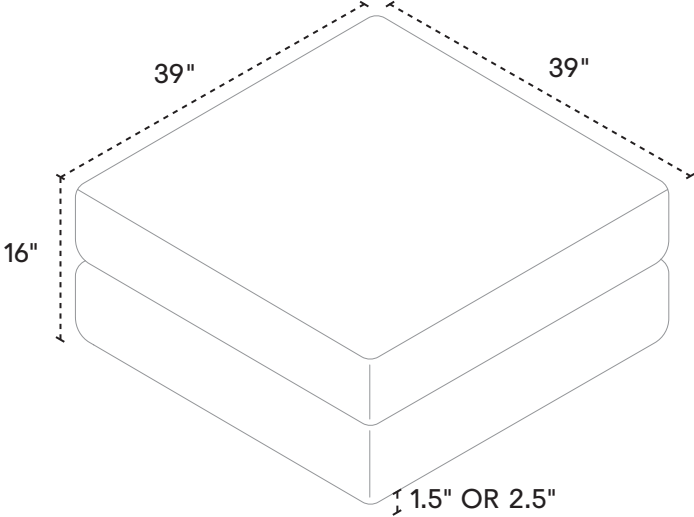
3-PIECE SOFA WITH FULL ARM CHAISE

STRAIGHT ARM – PLUSH



SQUARE OTTOMAN

PLUSH



RECTANGULAR OTTOMAN

PLUSH

